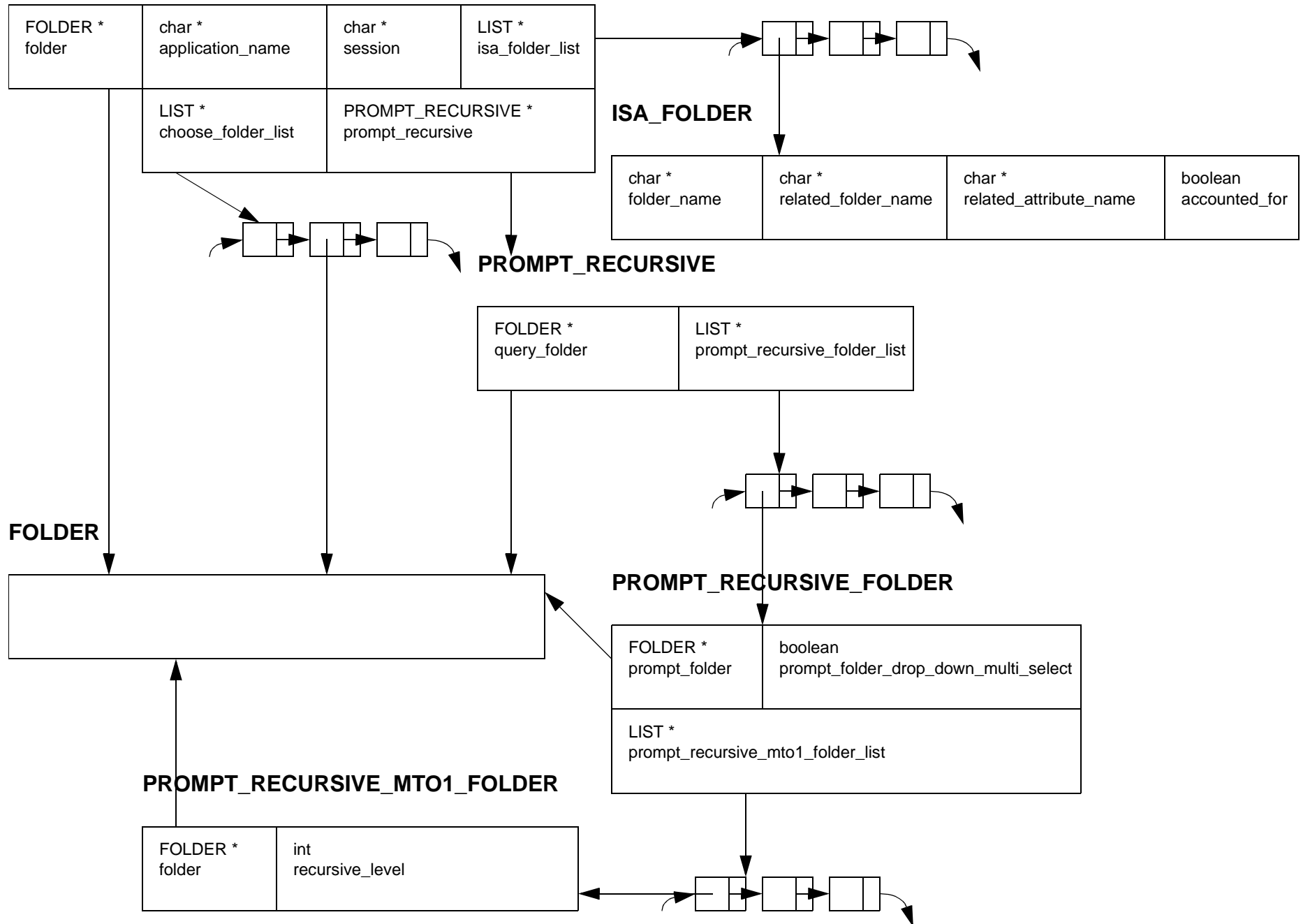


APPASERVER Data Structure

APPASERVER



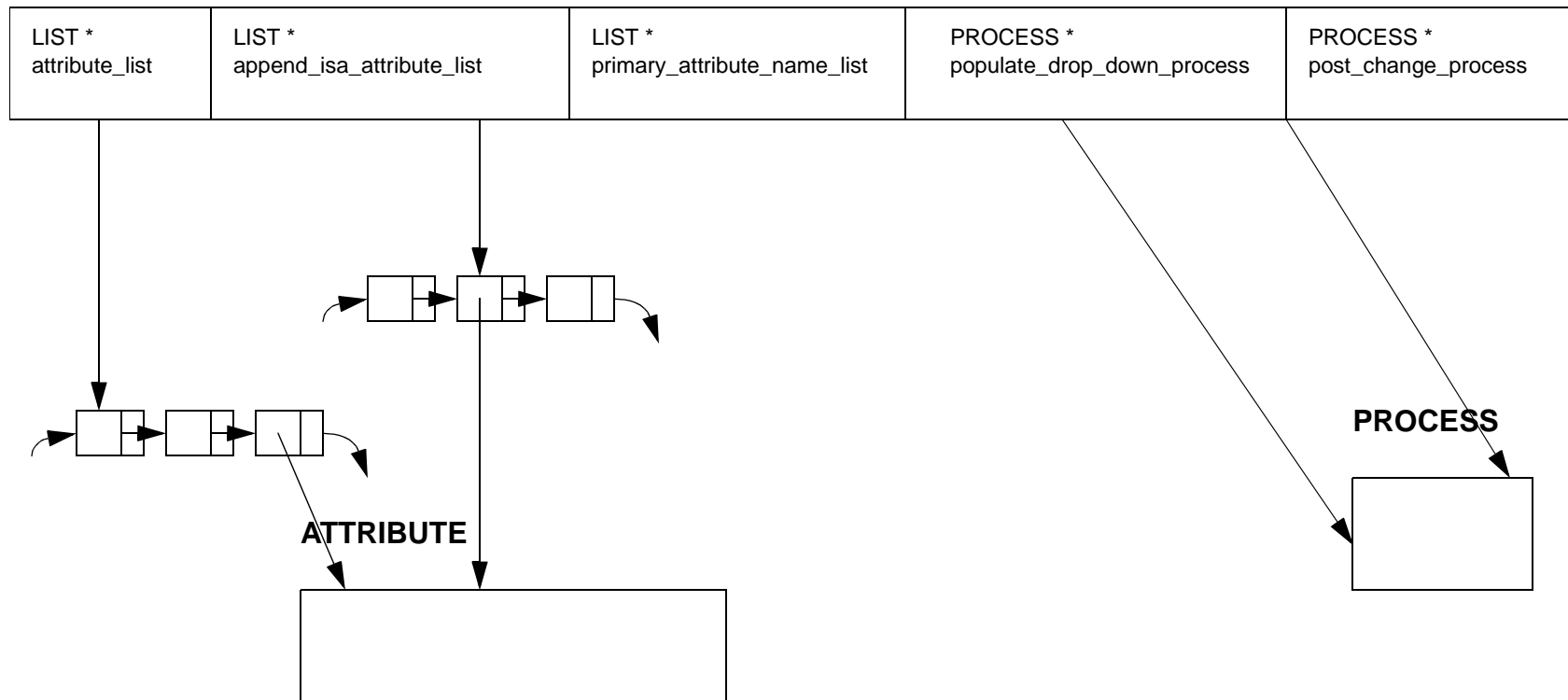
APPASERVER Data Structure

FOLDER

char * folder_name	int insert_rows_number	long row_count	boolean insert_permission	boolean update_permission	boolean lookup_permission	char * post_change_javascript
boolean lookup_email_output		char * application_name		char * session	char * folder_form	long row_access_count
boolean lookup_before_drop_down		char * notepad	char * html_help_file_anchor	char * tablespace		
LIST *non_primary_attribute_list boolean lookup_transmit_output boolean row_level_non_owner_forbid boolean row_level_non_owner_view_only boolean no_initial_capital char *schema_name DICTIONARY *primary_data_dictionary						

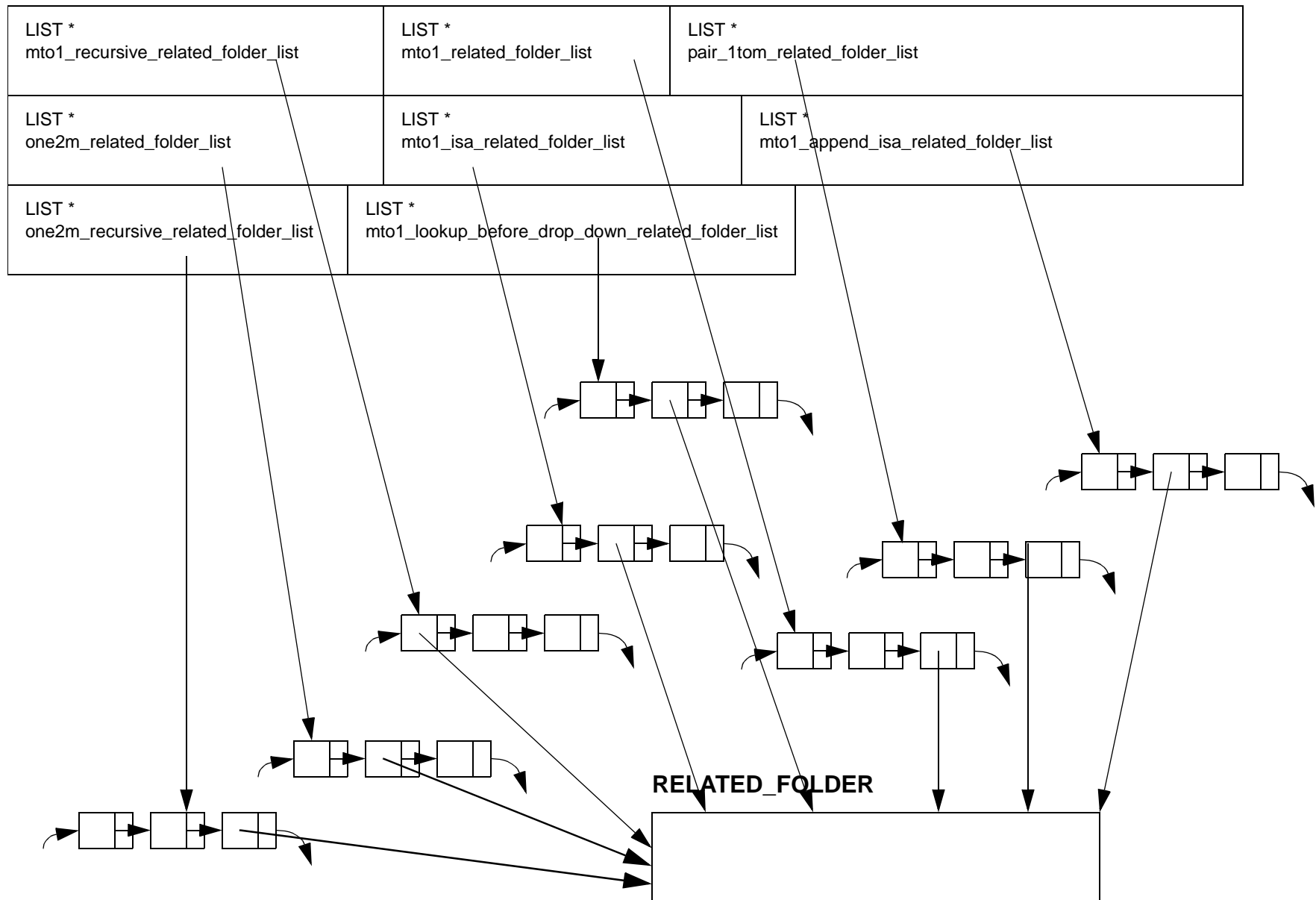
APPASERVER Data Structure

FOLDER (con't.)



APPASERVER Data Structure

FOLDER (con't.)



APPASERVER Data Structure

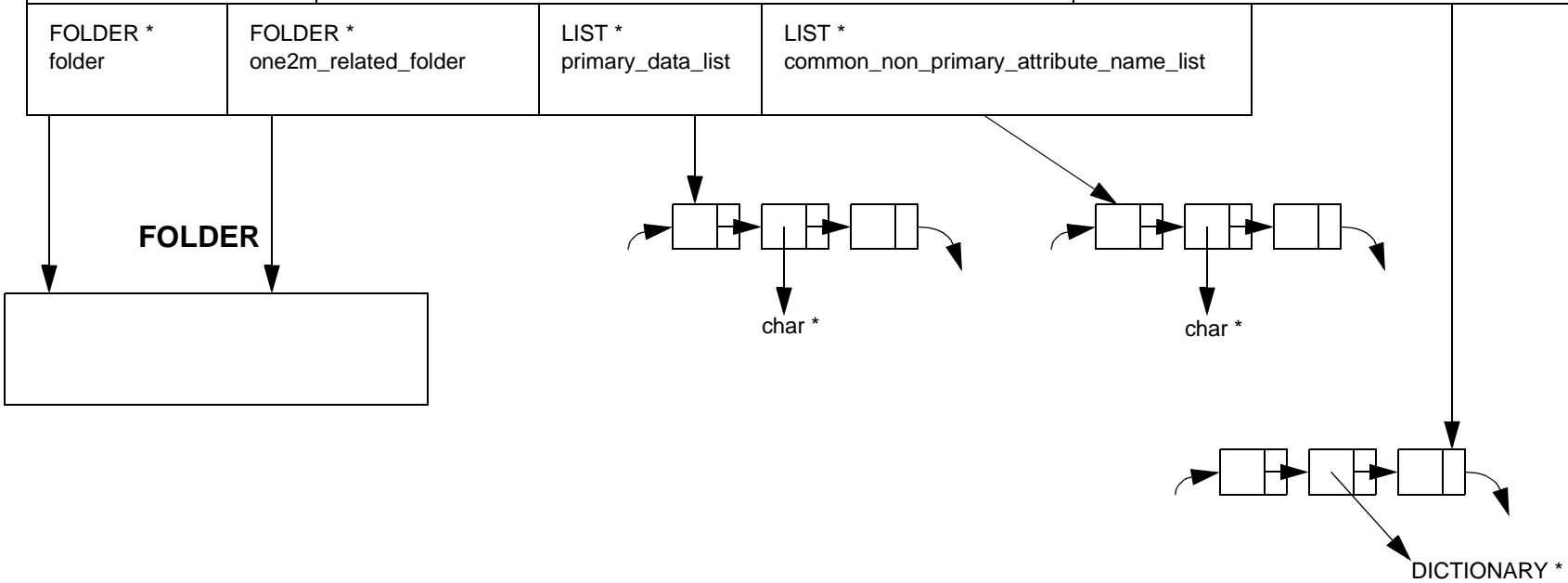
ATTRIBUTE

char * attribute_name	char * datatype	int primary_key_index	int display_order	boolean omit_insert_prompt	boolean omit_insert
int width	int float_decimal_places	char * hint_message	char * folder_name	boolean lookup_required	boolean insert_required
boolean optional_primary_key LIST *exclude_permission_list char *post_change_javascript char *on_focus_javascript_function boolean additional_unique_index boolean additional_index boolean lookup_histogram_output boolean lookup_time_chart_output boolean appaserver					

APPASERVER Data Structure

RELATED_FOLDER

boolean relation_type_isa	char * related_attribute_name	int pair_1tom_order	boolean null_1tom_upon_delete	boolean ignore_output
char * hint_message	boolean copy_common_attributes	boolean prompt_mto1_recursive	boolean omit_1tom_detail	
LIST * foreign_attribute_name_list	LIST * folder_foreign_attribute_name_list	char * join_where_clause	boolean drop_down_multi_select	
boolean automatic_preselection	LIST * parent_foreign_attribute_name_list		LIST * automatic_preselection_dictionary_list	



APPASERVER Data Structure

ROW_SECURITY

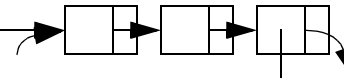
char * login_name	char * state	ROLE * login_role	
DICTIONARY * preprompt_dictionary		DICTIONARY * query_dictionary	DICTIONARY * sort_dictionary
ROW_SECURITY_ELEMENT_LIST_STRUCTURE * row_security_element_list_structure			
LIST * no_display_pressed_attribute_name_list		LIST * role_update_list	
enum row_security_state	{ security_supervisor regular_supervisor	security_user regular_user	
char * attribute_not_null_string			
FOLDER * foreign_login_name_folder	FOLDER * attribute_not_null_folder	FOLDER * select_folder	

ROLE

char * role_name	boolean override_row_restrictions
---------------------	--------------------------------------

ROW_SECURITY_ELEMENT_LIST_STRUCTURE

--



ROW_SECURITY_ROLE_UPDATE

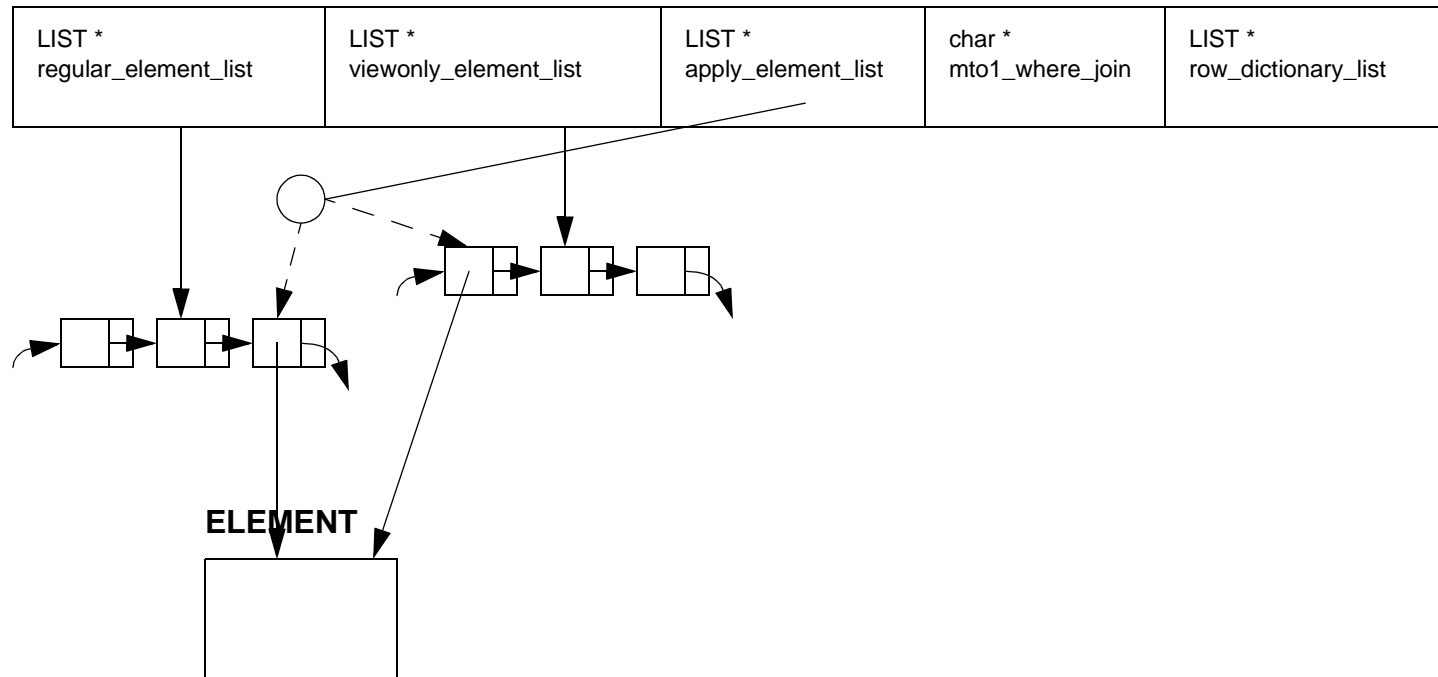
FOLDER * folder	char * attribute_not_null_string
--------------------	-------------------------------------

FOLDER

char * folder_name	LIST * append_isa_attribute_list	LIST * mto1_recursive_related_folder_list	LIST * mto1_isa_related_folder_list	LIST * mto1_append_isa_related_folder_list
LIST * one2m_recursive_related_folder_list	LIST * join_1tom_related_folder_list	boolean row_level_non_owner_forbid	boolean row_level_non_owner_vewonly	

APPASERVER Data Structure

ROW_SECURITY_ELEMENT_LIST_STRUCTURE



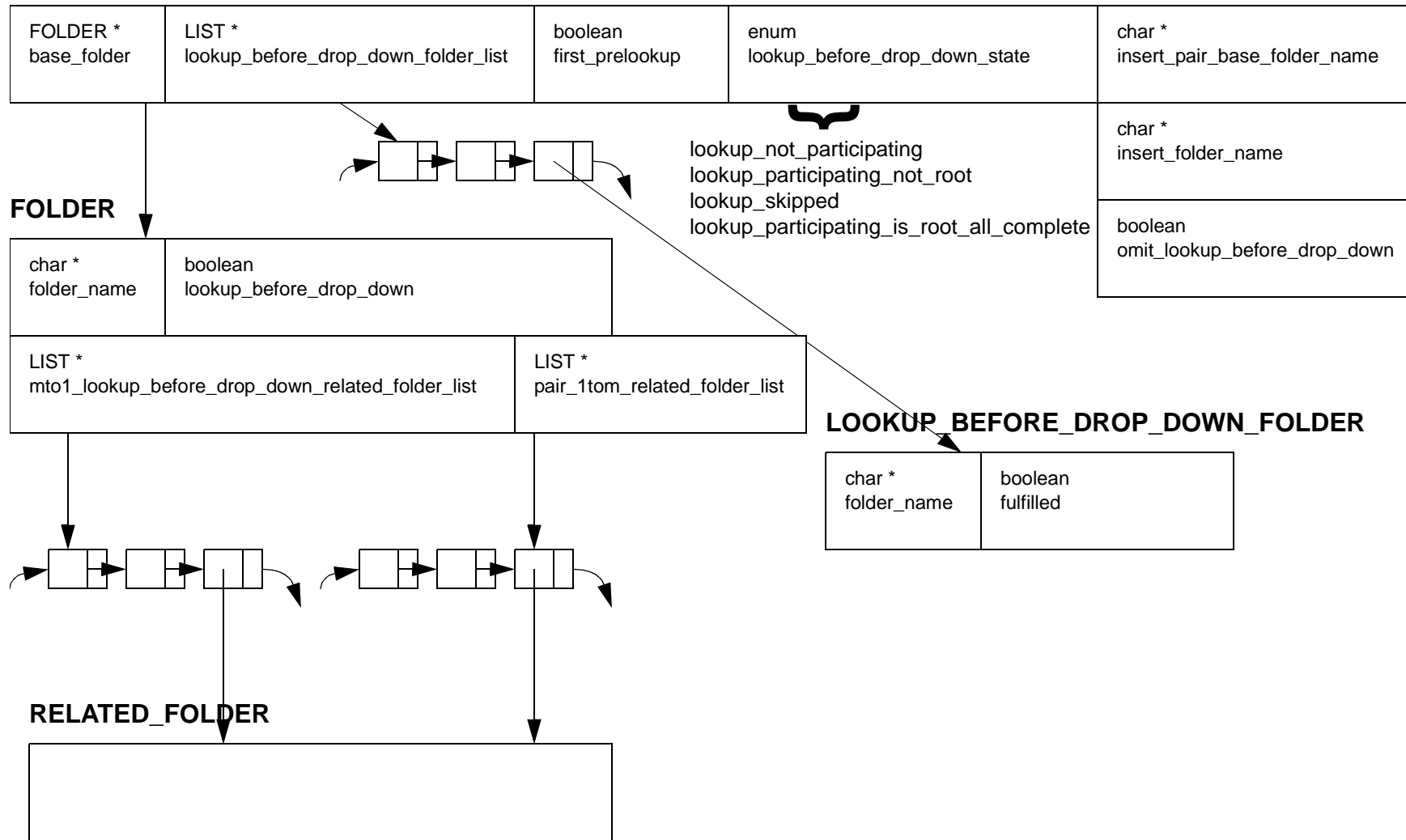
APPASERVER Data Structure

ELEMENT

char * name	enum element_type element_type	boolean remember_keystrokes_ok	int tab_index
drop_down	blank		ELEMENT_DROP_DOWN *drop_down
push_button	element_date		ELEMENT_PUSH_BUTTON *push_button
radio_button	element_current_date		ELEMENT_RADIO_BUTTON *radio_button
notepad	element_time		ELEMENT_NOTEPAD *notepad
password	element_current_time		ELEMENT_LINEBREAK *linebreak
non_edit_text	http_filename		ELEMENT_TEXT_ITEM *text_item
linebreak	timestamp		ELEMENT_PASSWORD *password
text_item	table_opening		ELEMENT_PROMPT_DATA *prompt_data
upload_filename	table_closing		ELEMENT_HIDDEN *hidden
prompt_data	prompt		ELEMENT_UPLOAD_FILENAME *upload_filename
prompt_data_plus_hidden	anchor		ELEMENT_HTTP_FILENAME *http_filename
reference_number			ELEMENT_ANCHOR *anchor
hidden			ELEMENT_EMPTY_COLUMN *empty_column
empty_column			ELEMENT_REFERENCE_NUMBER *reference_number
			ELEMENT_NON_EDIT_TEXT *non_edit_text

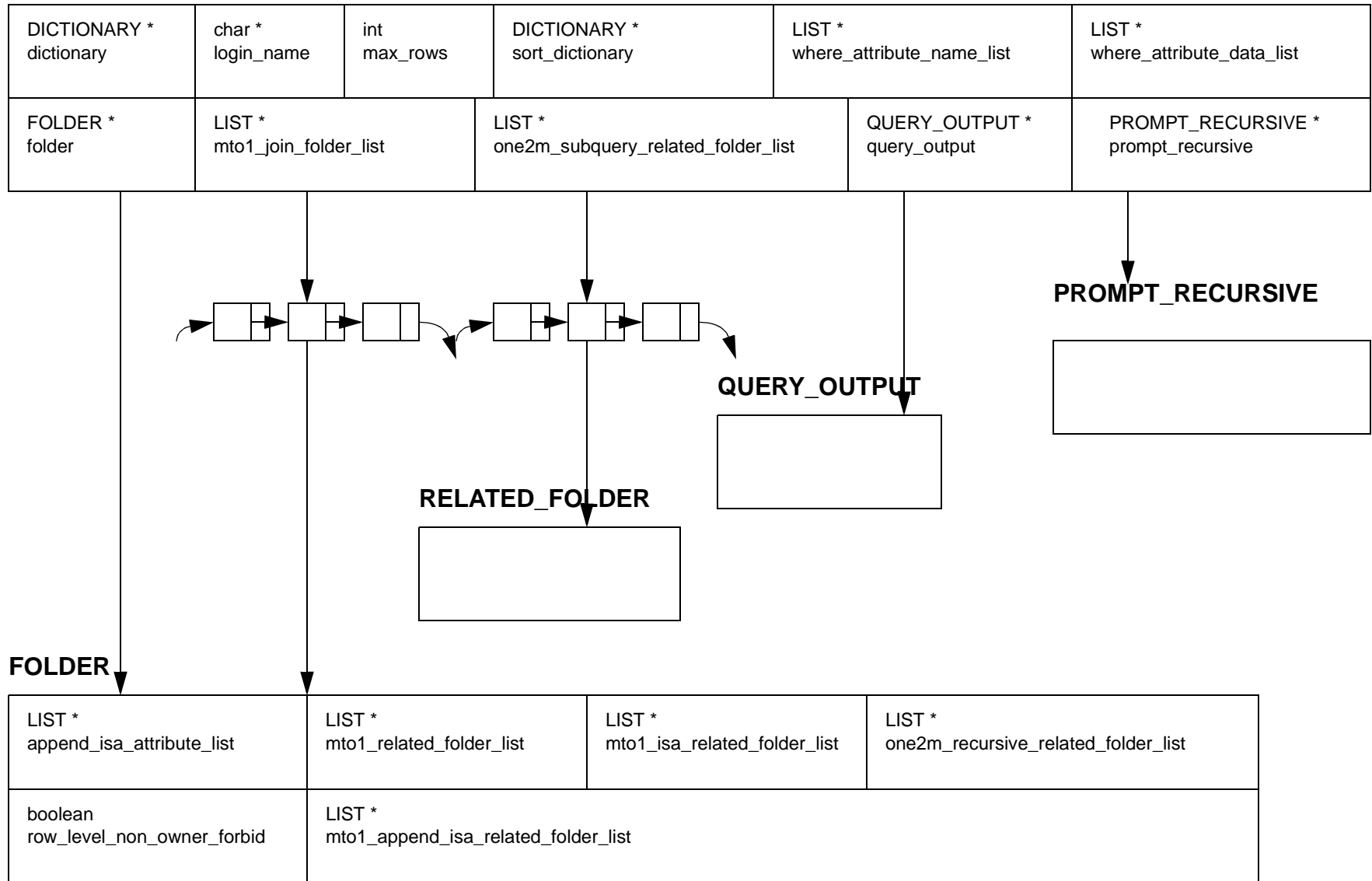
APPASERVER Data Structure

LOOKUP_BEFORE_DROP_DOWN



APPASERVER Data Structure

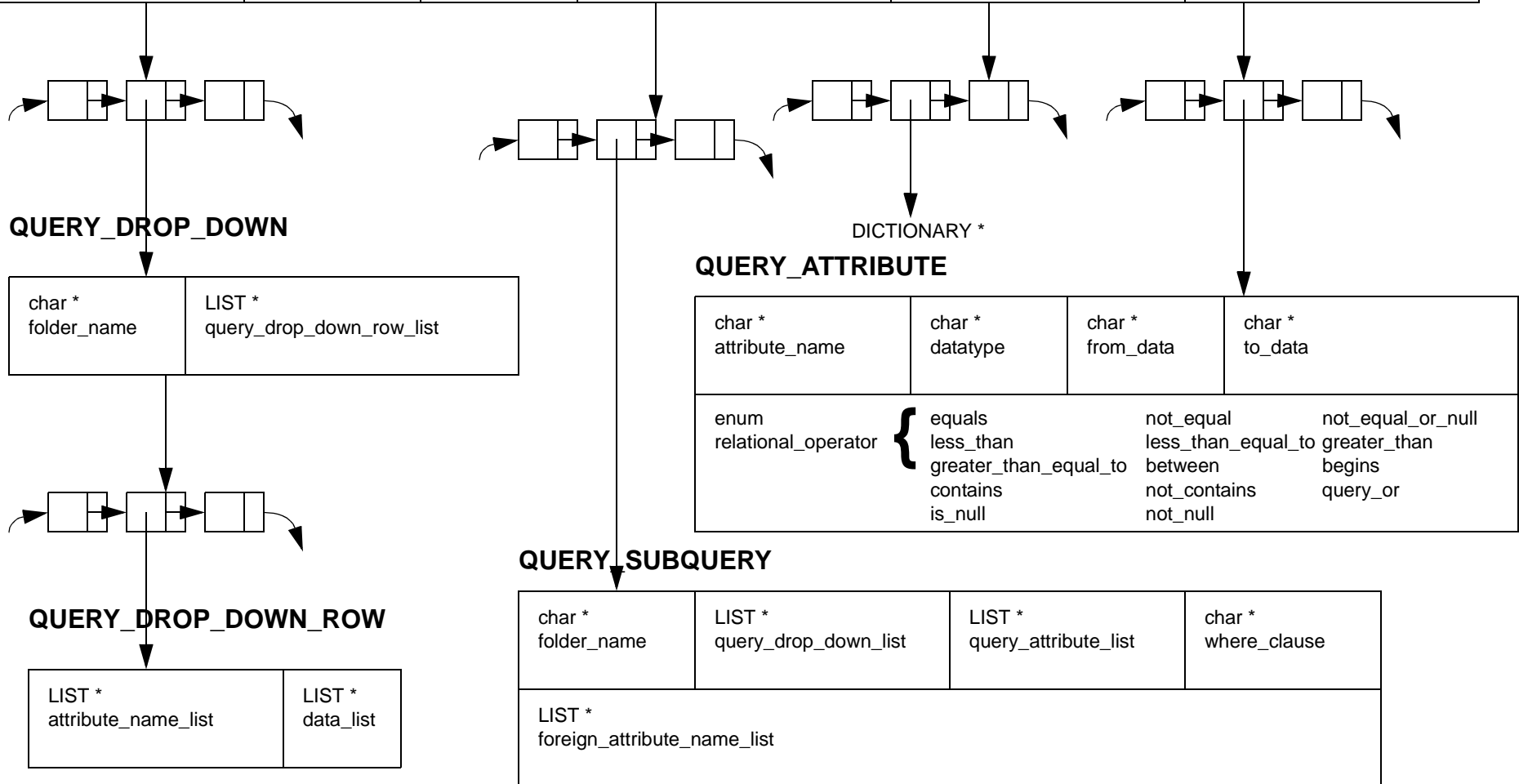
QUERY



APPASERVER Data Structure

QUERY_OUTPUT

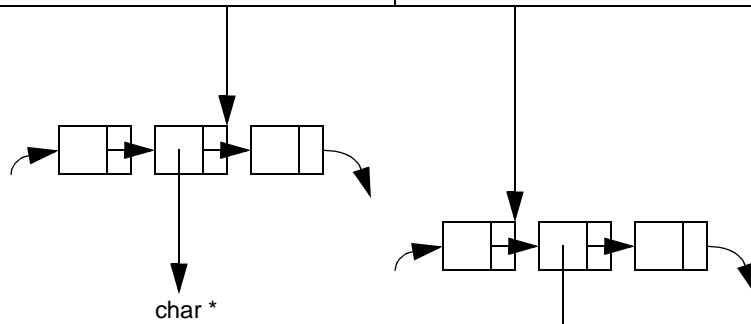
char * select_clause	char * from_clause	char * drop_down_where_clause	char * attribute_where_clause	char * non_joined_where_clause	char * subquery_where_clause
LIST * query_drop_down_list	char * where_clause	char * order_clause	LIST * query_subquery_list	LIST * row_dictionary_list	LIST * query_attribute_list



APPASERVER Data Structure

UPDATE_DATABASE

char * application_name	char * session	char * login_name	char * role_name	DICTIONARY * post_dictionary	DICTIONARY * file_dictionary
LIST * exclude_attribute_name_list		LIST * update_row_list		FOLDER * folder	DICTIONARY * foreign_attribute_dictionary



UPDATE_ROW



FOLDER

LIST * one2m_recursive_related_folder_list	LIST * mto1_isa_related_folder_list
---	--

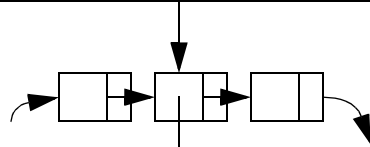
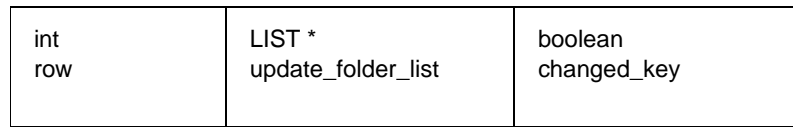


RELATED_FOLDER

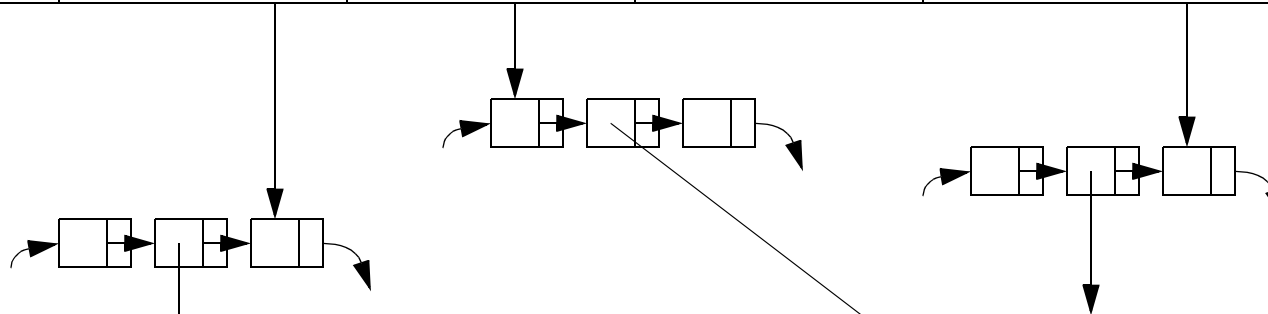
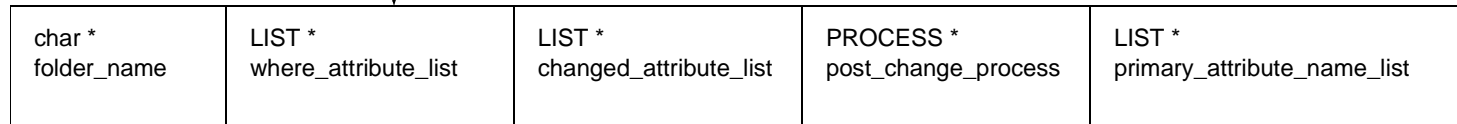
FOLDER * one2m_related_folder	FOLDER * one2m_related_folder
----------------------------------	----------------------------------

APPASERVER Data Structure

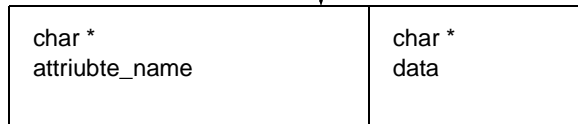
UPDATE_ROW



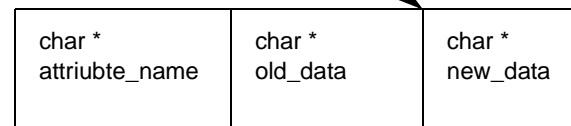
UPDATE_FOLDER



WHERE_ATTRIBUTE



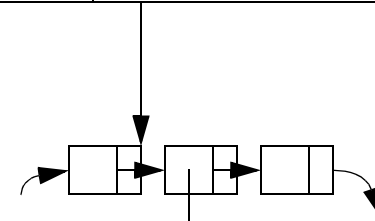
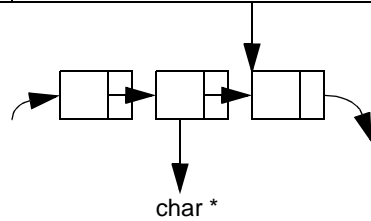
CHANGED_ATTRIBUTE



APPASERVER Data Structure

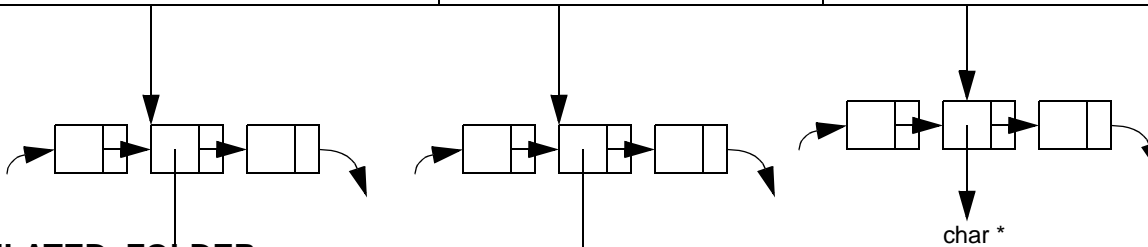
DELETE_DATABASE

char * application_name	boolean dont_delete_mto1_isa	char * sql_executable	char * login_name	char * role_name
FOLDER * folder	LIST * primary_attribute_data_list			LIST * delete_folder_list



FOLDER

char * folder_name	boolean row_level_non_owner_forbid	boolean row_level_non_owner_view_only
LIST * one2m_recursive_related_folder_list	LIST * mto1_isa_related_folder_list	LIST * primary_attribute_name_list



RELATED_FOLDER

FOLDER * one2m_related_folder	FOLDER * one2m_related_folder	boolean null_1tom_upon_delete
----------------------------------	----------------------------------	----------------------------------

DELETE_FOLDER



APPASERVER Data Structure

DELETE_FOLDER

char * folder_name	PROCESS * post_change_process	boolean null_1tom_upon_delete
LIST * primary_attribute_name_list	LIST * update_null_attribute_name_list	LIST * delete_row_list

